

Product Information IES files, certifications and approvals available on request

Weather proof IP65 rated recessed LED downlight. Suitable for all applications, ideal for bathrooms and wet areas. Available in two power outputs, multiple colour temperatures and beam angles to fit every architectural or residential use. Features dedicated remotely located control gear suitable for all dimming protocols. Standard 5 year warranty.

Product Images More images and drawings available on request



LED Specification Citizen / Lumileds / Bridgelux alternatives available on request

BRAND	TYPE	LED CCT	LED CRI	DRIVE CURRENT	LED POWER	OUTPUT
CREE	CXA	2700K – 5000K	80 - 90	250 - 350mA	12.6W @ 350mA	85lm/W min

Luminaire Specification Customisations available on request

HEIGHT	TRIM	CUT OUT	MATERIAL	FINISH TYPE	MOUNTING	IP RATING
67mm	86mm diameter	76mm diameter	Machined Aluminium	Powder Coat	Recessed	IP65

Product Code Generator example 2003.C3AM2.1

MODEL	SYSTEM POWER	LED CCT	LED CRI	BEAM ANGLE	FINISH	DIMMING
2007. POSEIDON 14 AD	A 10W	2 2700K	A 80	UN Ultra Narrow 15°	0. Grey	0 No dimming
	B 14W	3 3000K	B 90	N Narrow 24°	1. White	1 Phase dimming
		4 3500K		M Medium 36°	2. Black	2 DALI dimming
		5 4000K		W Wide 60°	3. Custom	3 0-10V dimming
		6 5000K				

Ordering Information Please fill-up as per Product Code Generator

2007.						
-------	--	--	--	--	--	--

Product Information IES files, certifications and approvals available on request

Adjustable weather proof IP65 rated recessed LED downlight. Suitable for all applications, ideal for bathrooms and wet areas. Available in two power outputs, multiple colour temperatures and beam angles to fit every architectural or residential use. Features dedicated remotely located control gear suitable for all dimming protocols. Standard 5 year warranty.

Product Images More images and drawings available on request



LED Specification Citizen / Lumileds / Bridgelux alternatives available on request

BRAND	TYPE	LED CCT	LED CRI	DRIVE CURRENT	LED POWER	OUTPUT
CREE	CXA	2700K – 5000K	80 - 90	250 - 350mA	12.6W @ 350mA	85lm/W min

Luminaire Specification Customisations available on request

HEIGHT	TRIM	CUT OUT	MATERIAL	FINISH TYPE	MOUNTING	IP RATING
67mm	86mm diameter	76mm diameter	Machined Aluminium	Powder Coat	Recessed	IP65

Product Code Generator example 2002.B3AM2.1

MODEL	SYSTEM POWER	LED CCT	LED CRI	BEAM ANGLE	FINISH	DIMMING
2002. POSEIDON 14 AD	A 10W	2 2700K	A 80	UN Ultra Narrow 15°	0. Grey	0 No dimming
	B 14W	3 3000K	B 90	N Narrow 24°	1. White	1 Phase dimming
		4 3500K		M Medium 36°	2. Black	2 DALI dimming
		5 4000K		W Wide 60°	3. Custom	3 0-10V dimming
		6 5000K				

Ordering Information Please fill-up as per Product Code Generator

2002.						
-------	--	--	--	--	--	--

Product Information IES files, certifications and approvals available on request

Modern design, high output, recessed 28W LED architectural downlight. Suitable for high to medium ceilings. Broad variety of power outputs, colour temperatures, beam angles and customisations for every commercial or residential application. Features dedicated remotely located control gear suitable for all dimming protocols. Standard 5 year warranty.

Product Images More images and drawings available on request



LED Specification Citizen / Lumileds / Bridgelux alternatives available on request

BRAND	TYPE	LED CCT	LED CRI	DRIVE CURRENT	LED POWER	OUTPUT
CREE	CXA	2700K – 6000K	80 - 90	700mA	25.9W @ 700mA	120lm/W min (CRI80)

Luminaire Specification Customisations available on request

HEIGHT	TRIM	CUT OUT	MATERIAL	FINISH TYPE	MOUNTING	IP RATING
91mm	115mm diameter	100mm diameter	Machined Aluminium	Powder Coat	Recessed	IP65

Product Code Generator example 2006.C3AM2.1

MODEL	SYSTEM POWER	LED CCT	LED CRI	BEAM ANGLE	FINISH	DIMMING
2006. Poseidon 28 FX	A 14W	2 2700K	A 80	UN Ultra Narrow 15°	0. Gray	0 No dimming
	B 20W	3 3000K	B 90	N Narrow 24°	1. White	1 Phase dimming
	C 28W	4 4000K		M Medium 36°	2. Black	2 DALI dimming
		5 5000K		W Wide 60°	3. Custom	3 0-10V dimming
		6 6000K				

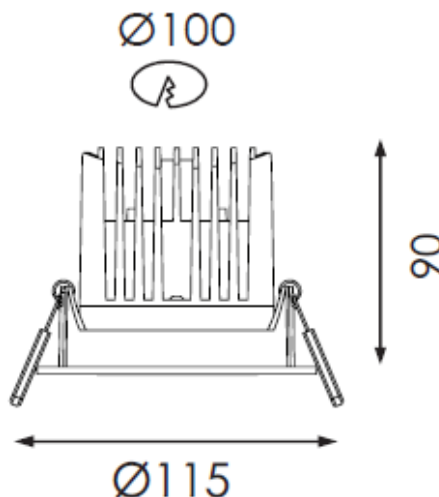
Ordering Information Please fill-up as per Product Code Generator

2006.						
-------	--	--	--	--	--	--

Product Information IES files, certifications and approvals available on request

Modern design, high output, adjustable recessed 28W LED architectural downlight. Suitable for medium to high ceilings. Broad variety of power outputs, colour temperatures, beam angles and customisations for every commercial or residential application. Features dedicated remotely located control gear which can be matched with all dimming protocols. Standard 5 year warranty.

Product Images More images and drawings available on request



LED Specification Citizen / Lumileds / Bridgelux alternatives available on request

BRAND	TYPE	LED CCT	LED CRI	DRIVE CURRENT	LED POWER	OUTPUT
CREE	CXA	2700K – 6000K	80 - 90	700mA Max	25.2W @ 700mA	120lm/W min

Luminaire Specification Customisations available on request

HEIGHT	TRIM	CUT OUT	MATERIAL	FINISH TYPE	MOUNTING	IP RATING
90mm	115mm diameter	100mm diameter	Machined Aluminium	Powder Coat	Recessed	IP65

Product Code Generator example 2009.C3AM2.1

MODEL	SYSTEM POWER	LED CCT	LED CRI	BEAM ANGLE	FINISH	DIMMING
2009. Poseidon 28 AD	A 14W	2 2700K	A 80	UN Ultra Narrow 15°	0. Gray	0 No dimming
	B 20W	3 3000K	B 90	N Narrow 24°	1. White	1 Phase dimming
	C 28W	4 4000K		M Medium 36°	2. Black	2 DALI dimming
		5 5000K		W Wide 60°	3. Custom	3 0-10V dimming
		6 6000K				

Ordering Information Please fill-up as per Product Code Generator

2009.						
-------	--	--	--	--	--	--